

Mathematics

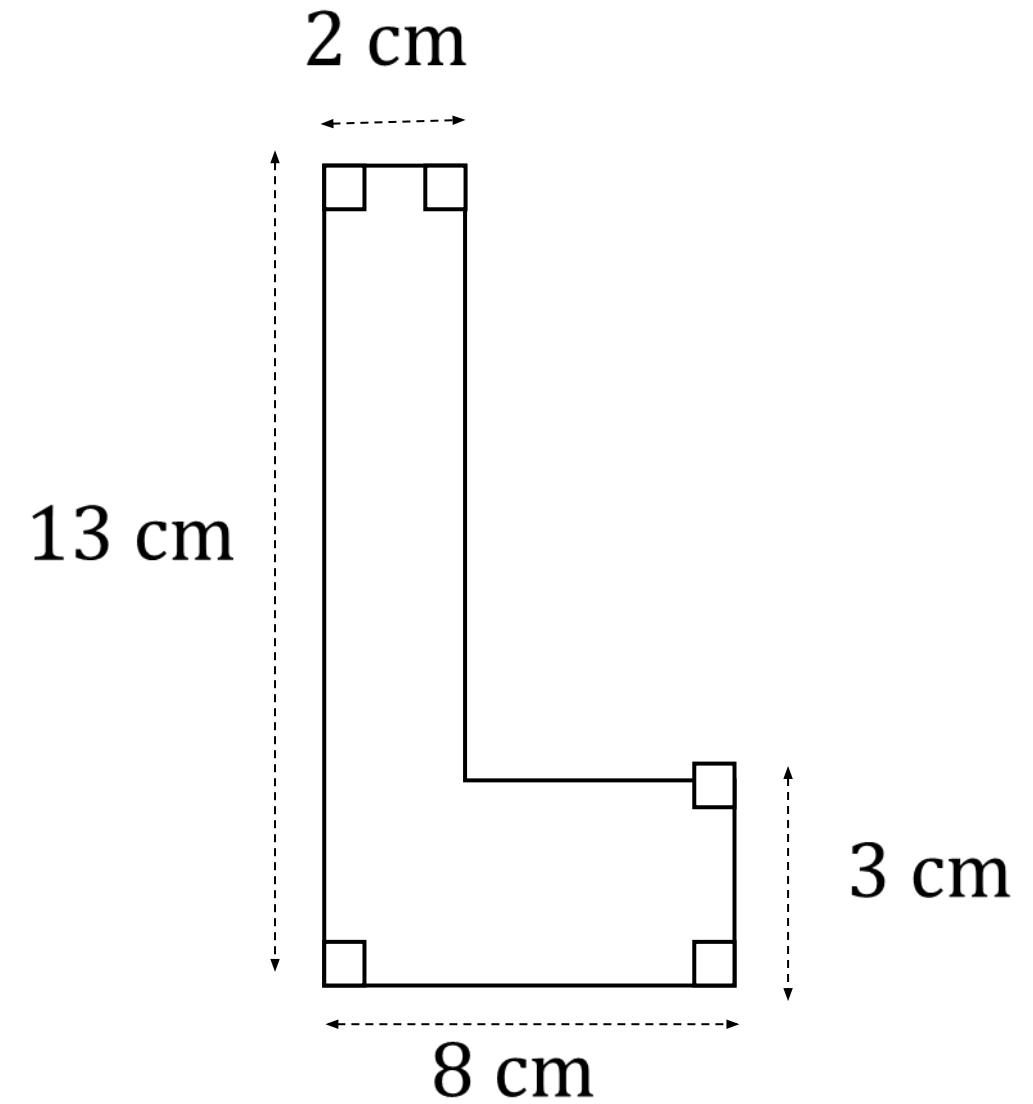
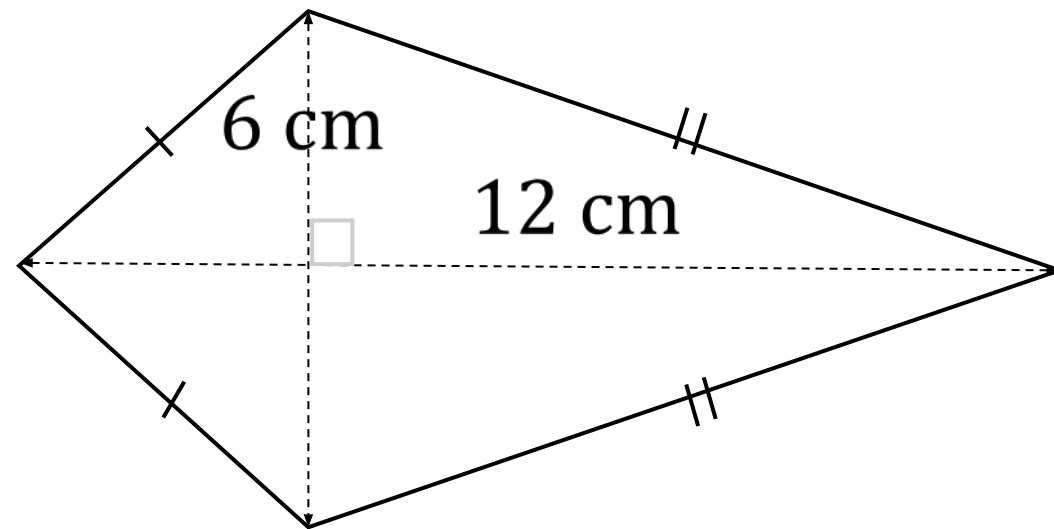
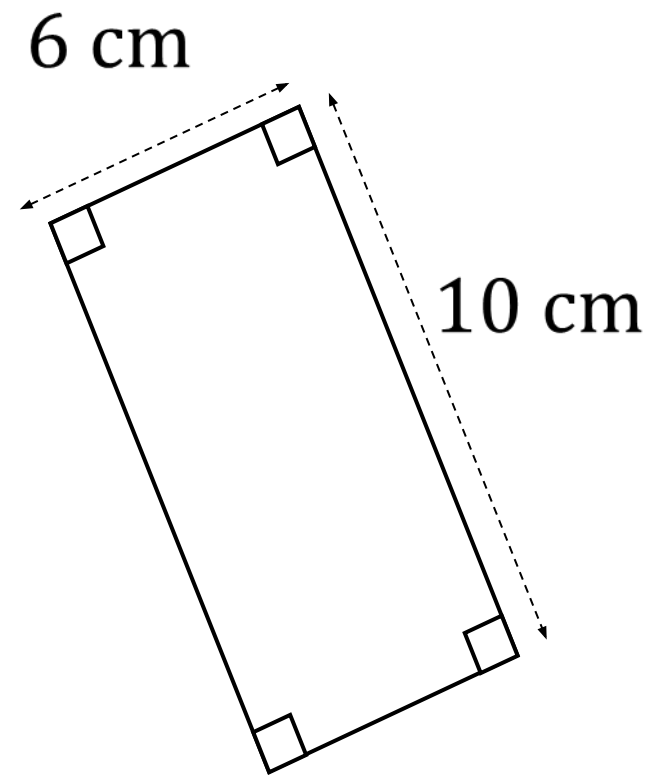
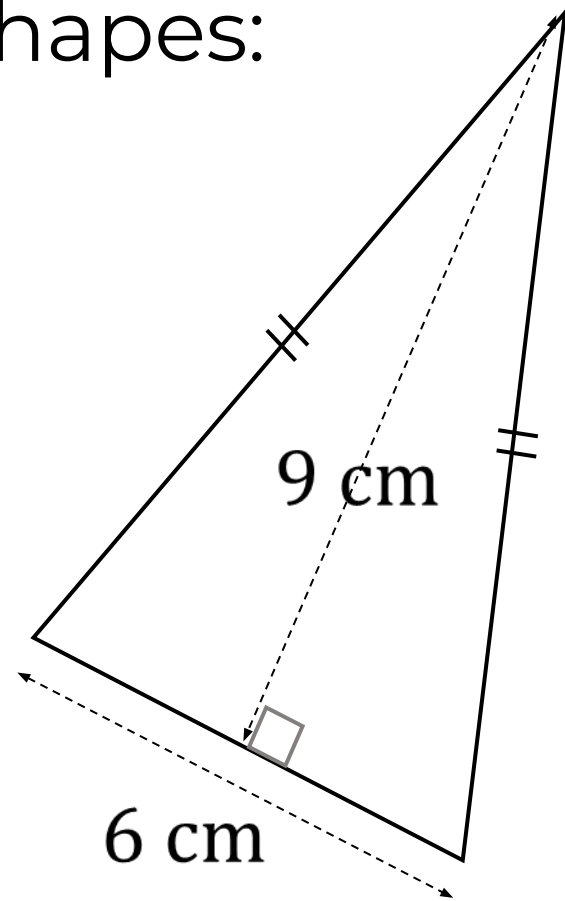
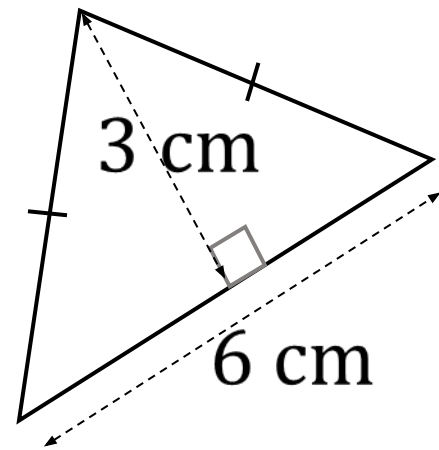
Enlargements and Area Worksheet

Mrs Buckmire



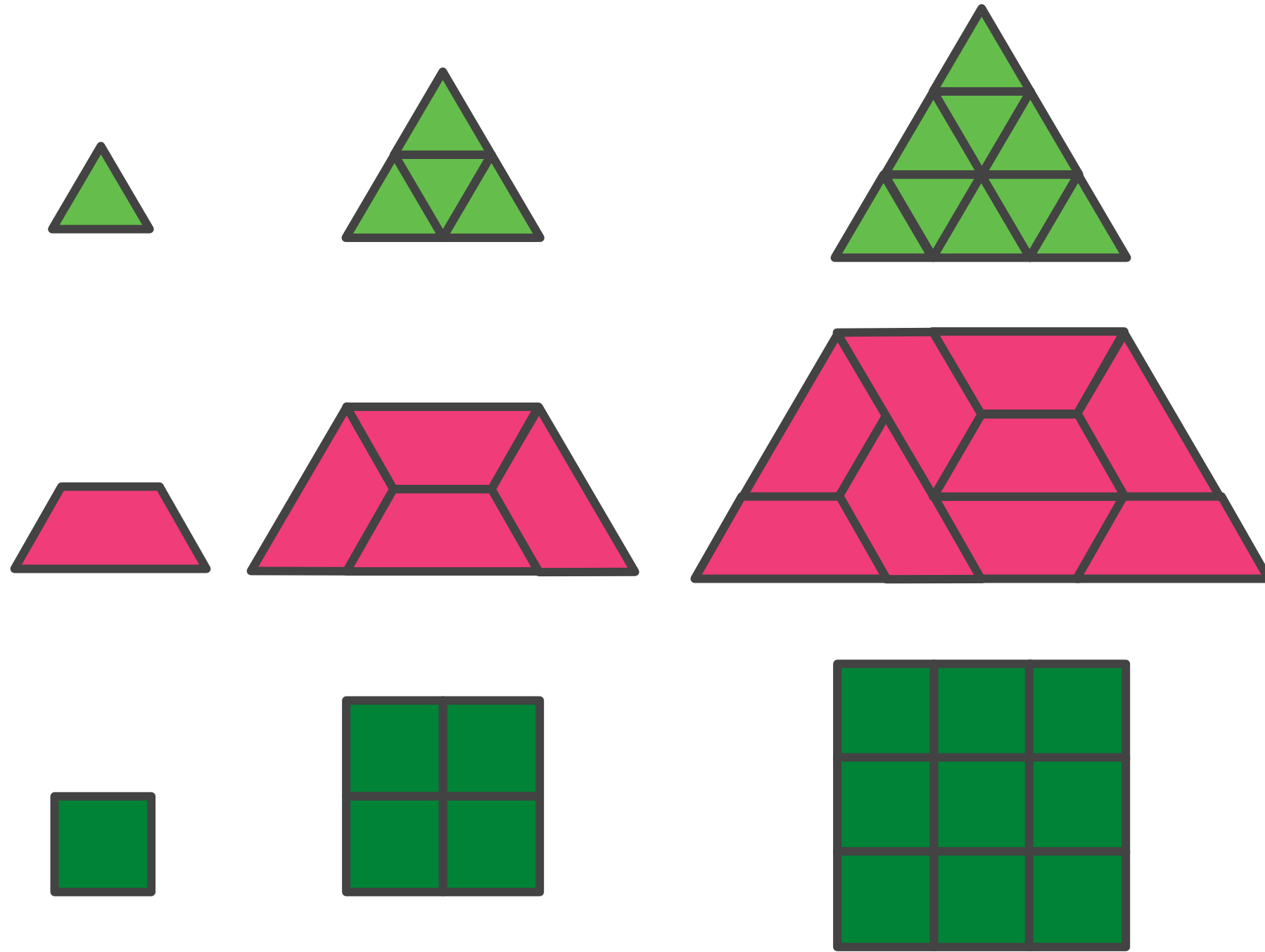
Try this

Calculate the area of the following shapes:

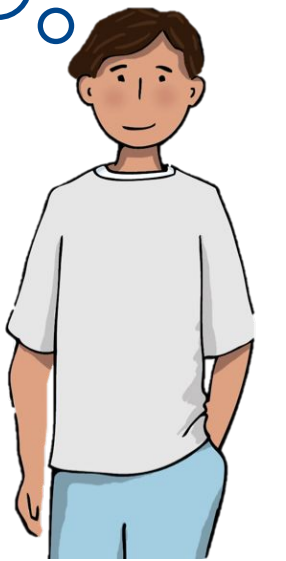
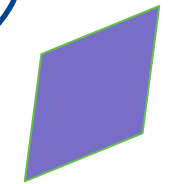


Connect

What is the same and what is different about the patterns Antoni has created?

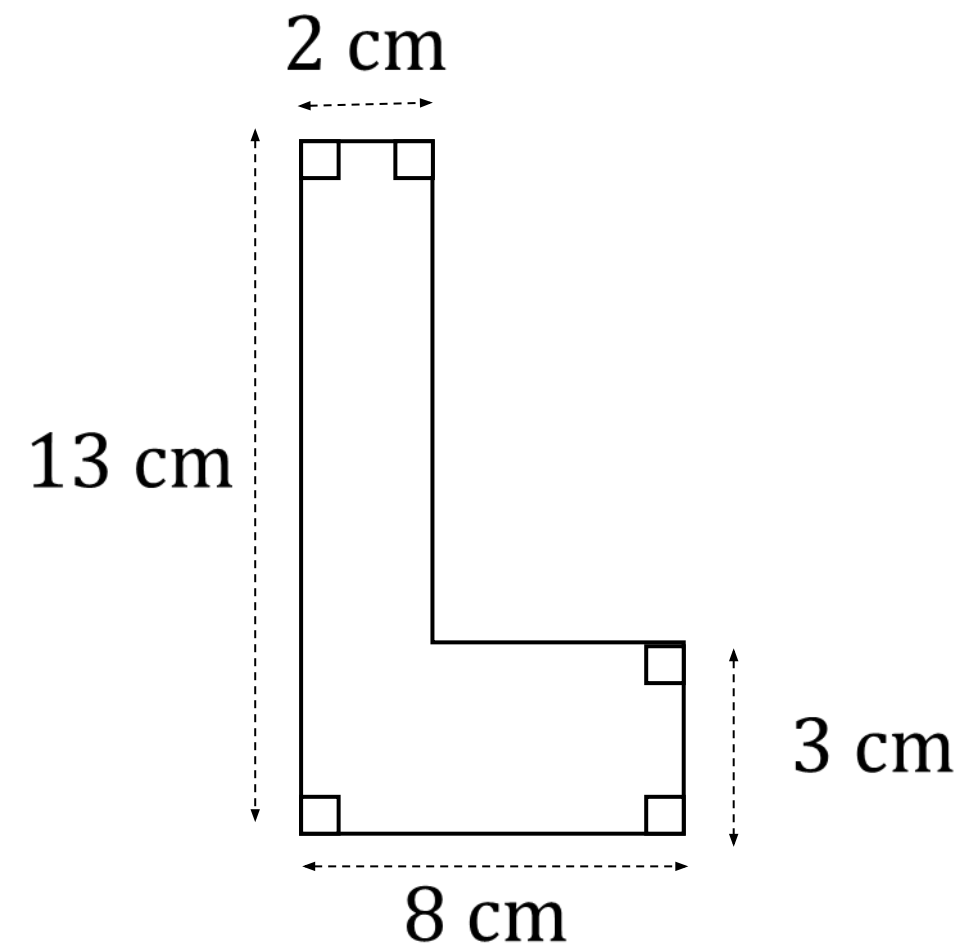
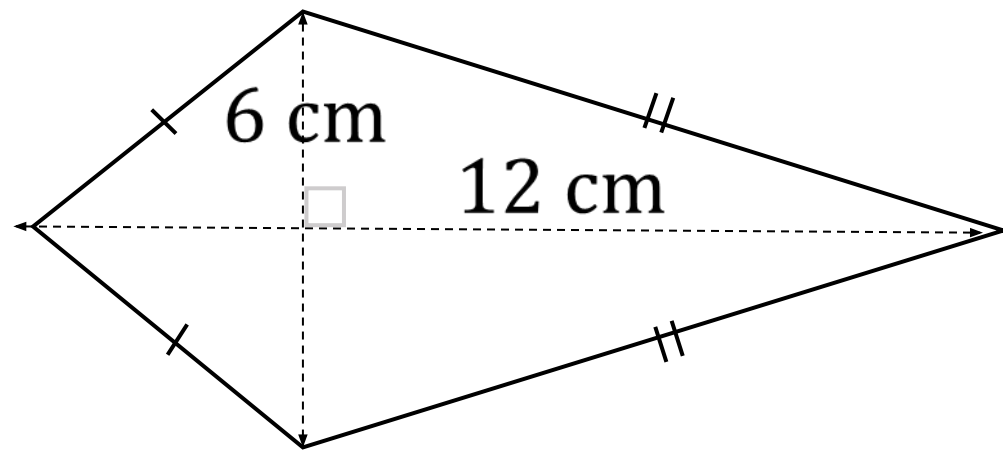
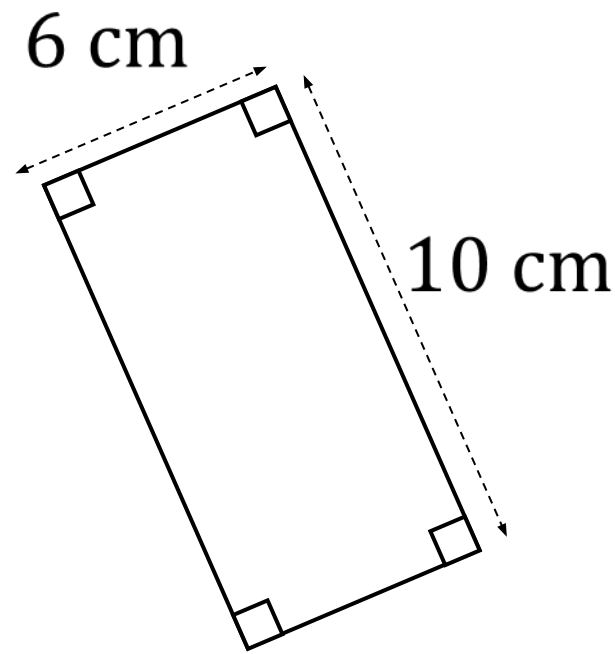
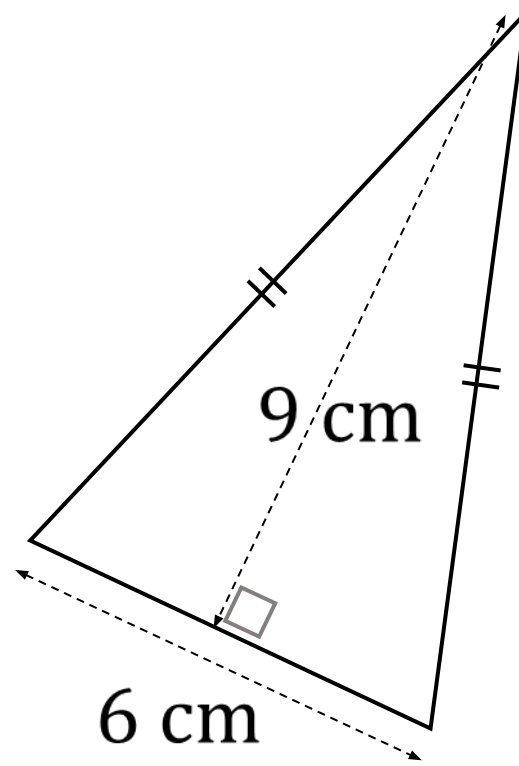
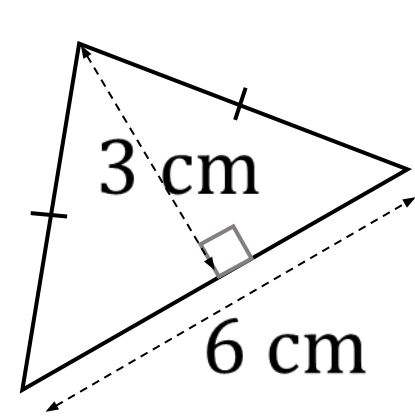


Can I make a similar pattern for this rhombus?



Independent task

Draw **sketches** of the shapes following shapes after they're enlarged by a scale factor 7.
How do enlargements affect the areas?



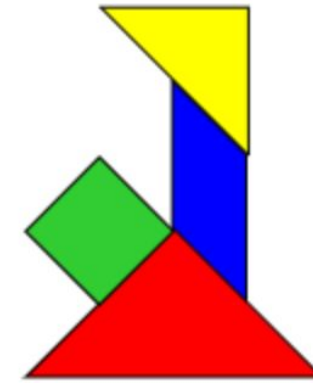
Explore

Yasmin created a polygon using pattern tiles, then enlarged it by a scale factor of two.

Draw the enlarged shape.

How did the enlargement affect the area?

Explain how you know.



Support on
next slide



Explore (Support)

Yasmin created a polygon using pattern tiles, then enlarged it by a scale factor of two.

Draw the enlarged shape.

How did the enlargement affect the area?

Explain how you know.

