

Mathematics

Solving word problems by using bar models

Mrs Crane

1



Independent Task

Q1

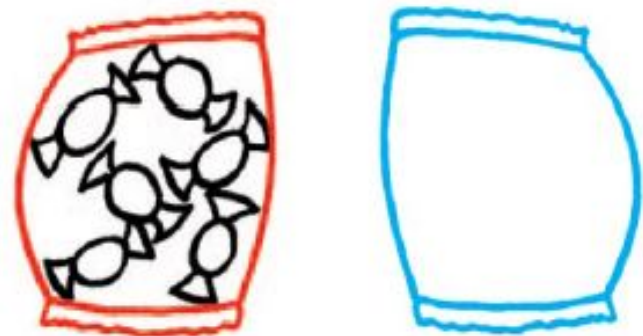
Solve the word problems using bar models to represent them.

Remember: use counters to help you!

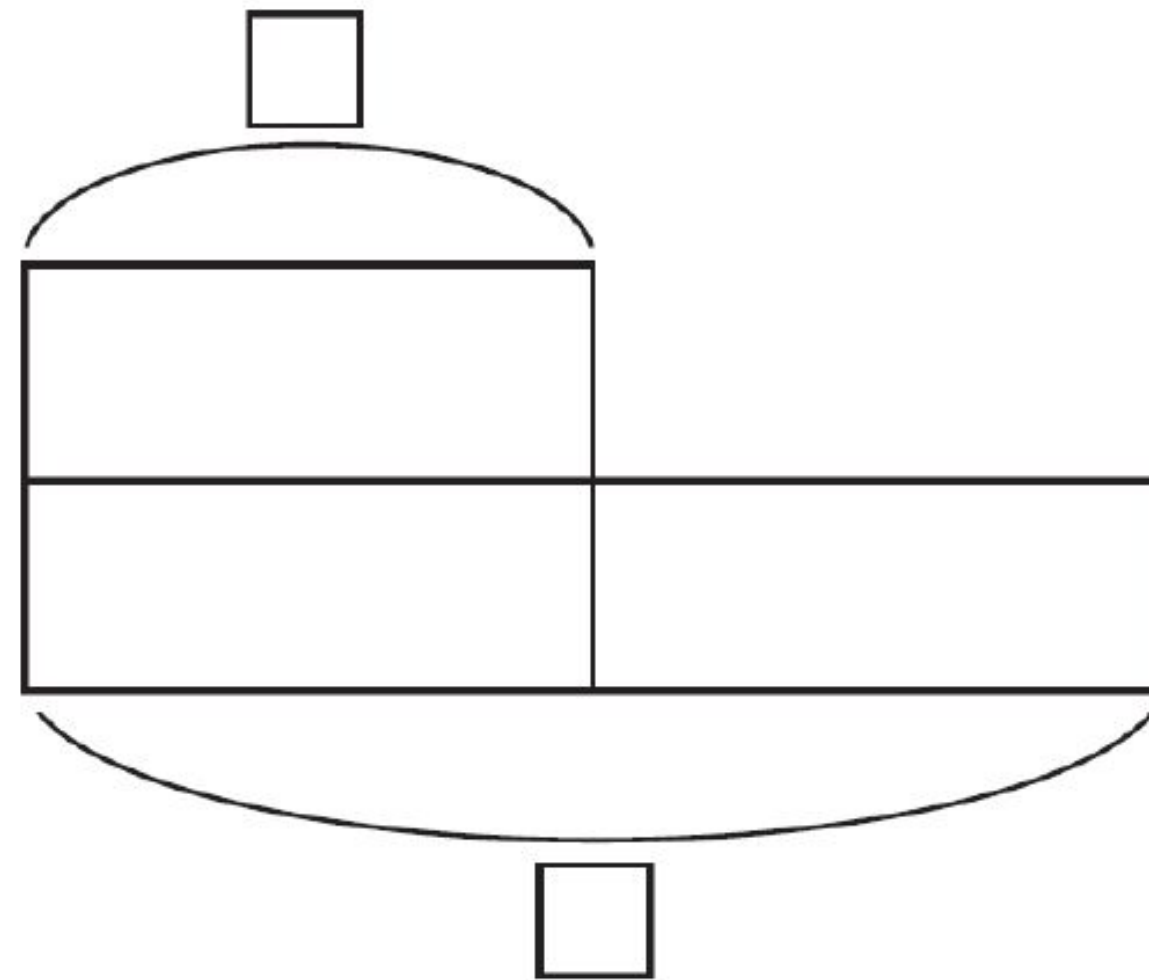
There are 6 sweets in the red bag.

There are twice as many sweets in the blue bag.

How many sweets are there in the blue bag?



$$2 \times \square = \square$$



Independent Task

Q2

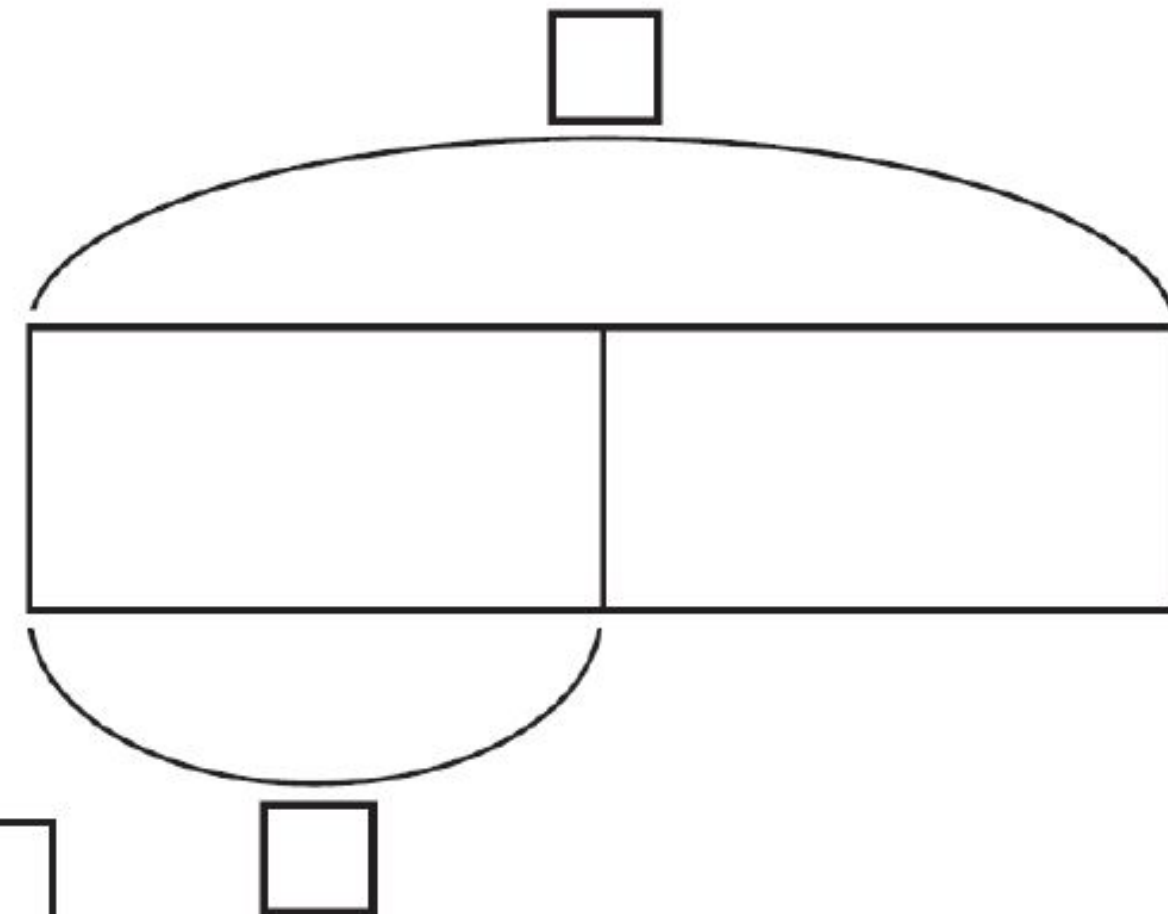
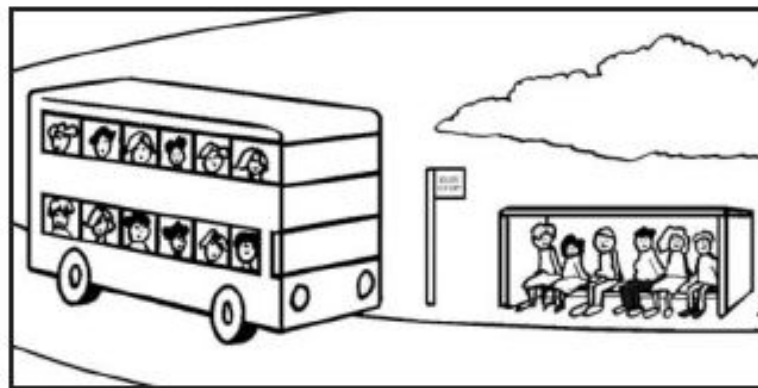
Solve the word problems using bar models to represent them.

Remember: use counters to help you!

There were 20 passengers on a bus.

Half of the passengers got off the bus.

How many passengers were still on the bus?



$$\square \div 2 = \square$$



Independent Task

Q3

Solve the word problems using bar models to represent them.

Remember: use counters to help you!

The postman has some letters in a sack on Monday morning.

He delivered one quarter of them to the first house in the afternoon.

3 letters were delivered to the first house.

How many letters were there in the postman's sack on Monday morning?

$$\square \times \square = \square$$

