

# Find the volume of a frustum

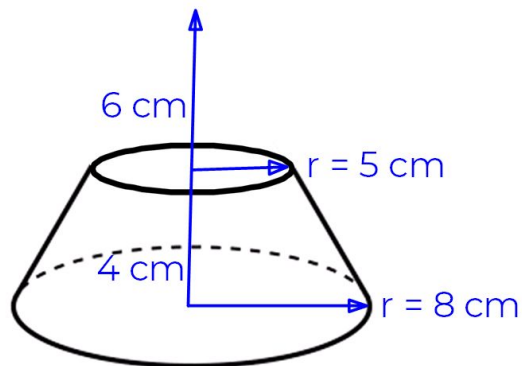
Maths

Mr Chan



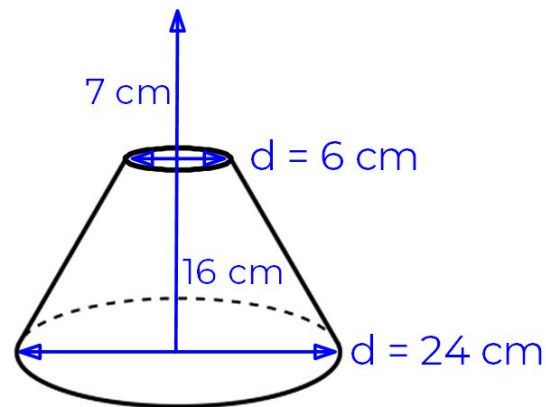
# Find the volume of a frustum

1. The diagram shows a frustum. If the side lengths were extended it would form a cone of height 10 cm.



Work out the volume of the frustum.

2. The diagram shows a frustum. If the side lengths were extended it would form a cone with a height of 23 cm.

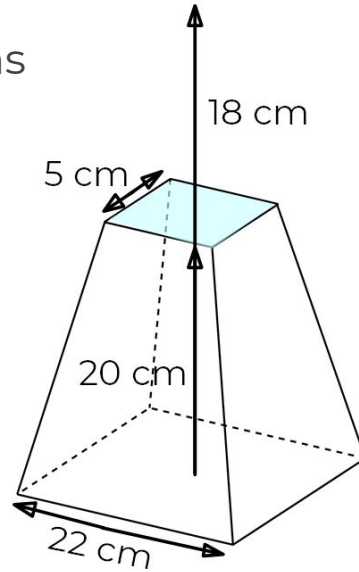


Work out the volume of the frustum.



# Find the volume of a frustum

3. The diagram shows a frustum. If the side lengths were extended it would form a square based pyramid of height 38 cm.



Work out the volume of the frustum.

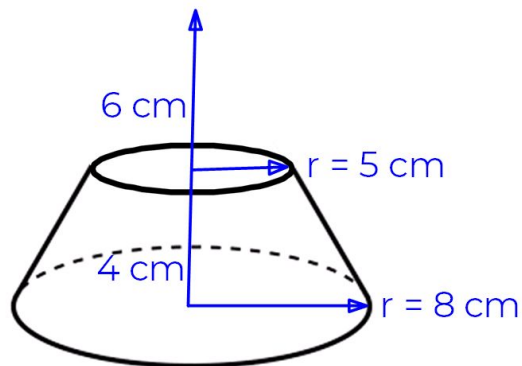


# Answers



# Find the volume of a frustum

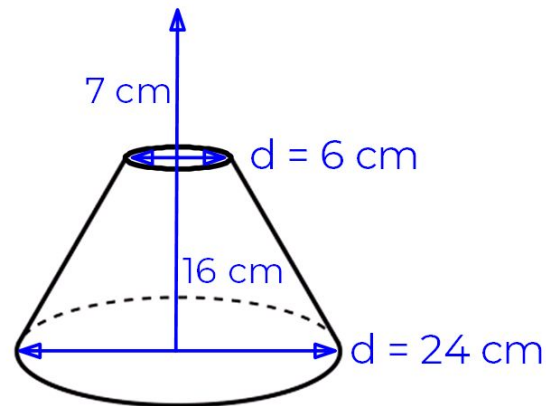
1. The diagram shows a frustum. If the side lengths were extended it would form a cone of height 10 cm.



Work out the volume of the frustum.

$$\frac{640}{3}\pi - 50\pi = \frac{490}{3}\pi \text{ (513.1) cm}^3$$

2. The diagram shows a frustum. If the side lengths were extended it would form a cone with a height of 23 cm.



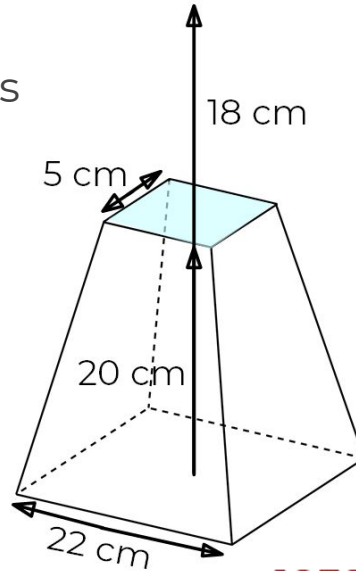
Work out the volume of the frustum.

$$1104\pi - 21\pi = 1083\pi \text{ (3402.3) cm}^3$$



# Find the volume of a frustum

3. The diagram shows a frustum. If the side lengths were extended it would form a square based pyramid of height 38 cm.



Work out the volume of the frustum.  $\frac{18392}{3} - 150 = 5980.7 \text{ cm}^3$

