

Maths

Find missing angles in a special quadrilateral

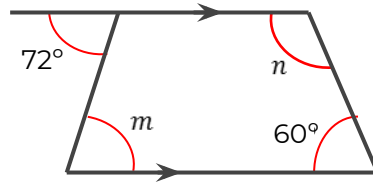
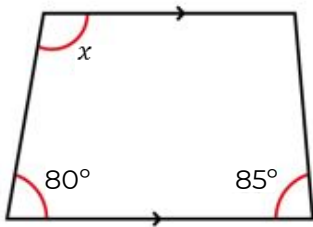
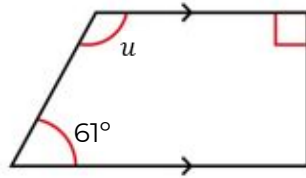
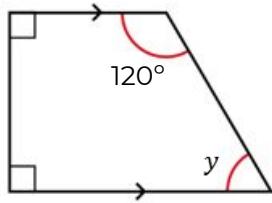
Mr Clasper

1

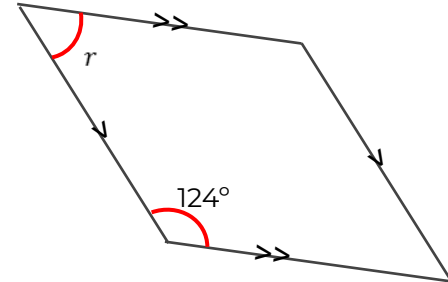
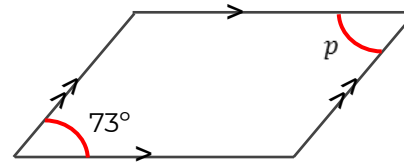


Find missing angles in a special quadrilateral

1. Calculate the missing angles in each trapezium.

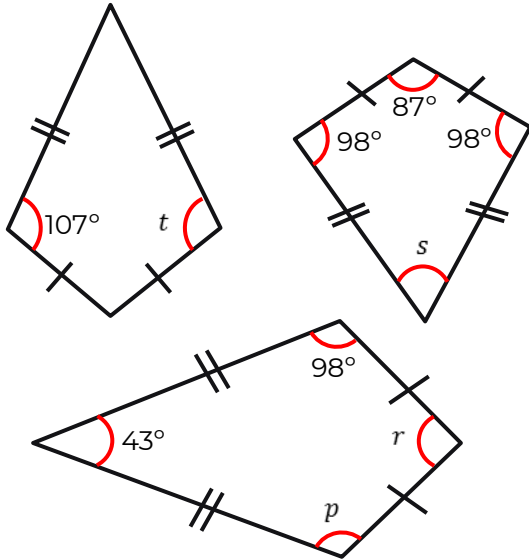


2. Find the missing angle in each parallelogram.

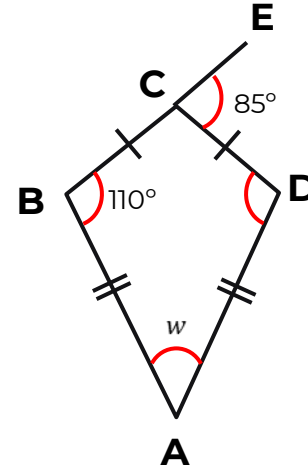


Find missing angles in a special quadrilateral

3. Find the size of the unknown angles in each of the kites.



4. ABCD is a kite. BCE is a straight line. Find the size of angle w .

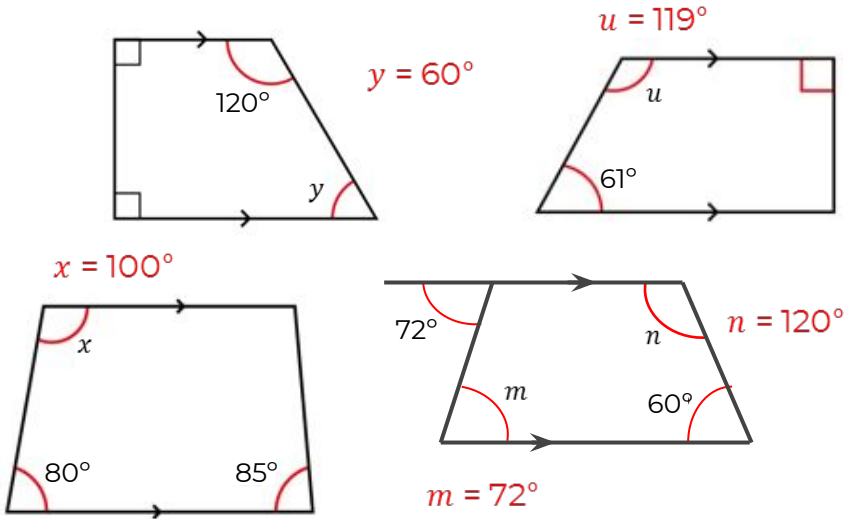


Answers

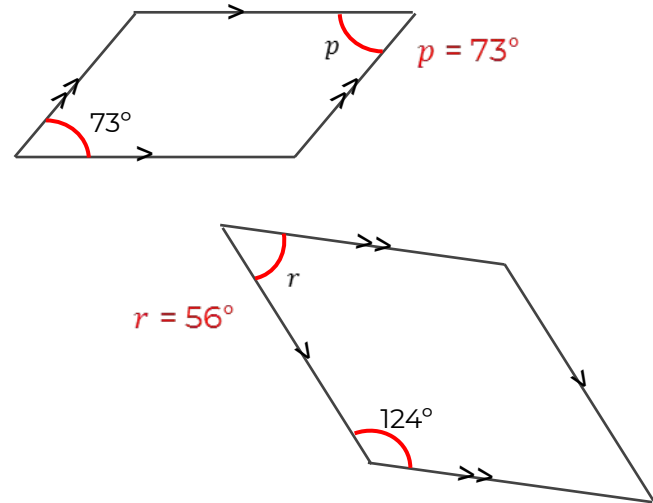


Find missing angles in a special quadrilateral

1. Calculate the missing angles in each trapezium.

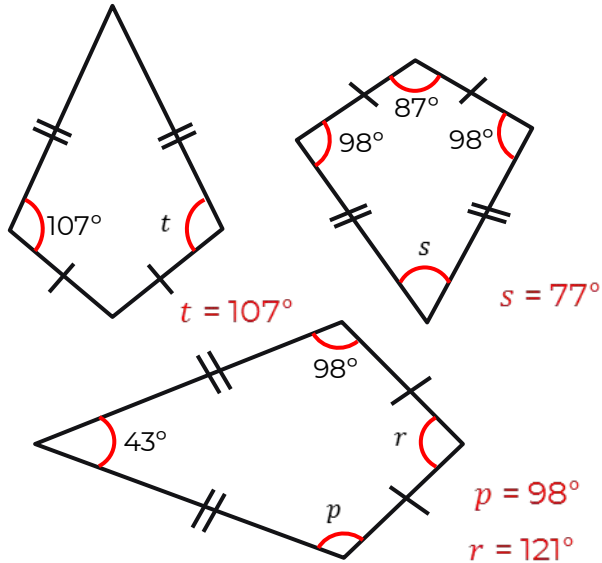


2. Find the missing angle in each parallelogram.



Find missing angles in a special quadrilateral

3. Find the size of the unknown angles in each of the kites.



4. ABCD is a kite. BCE is a straight line. Find the size of angle w .

