

Mathematics

Internal angles in a quadrilateral

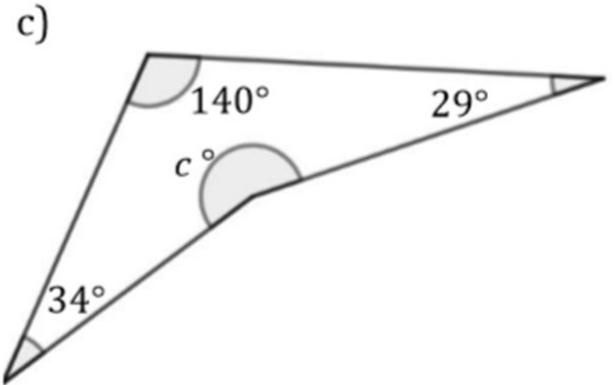
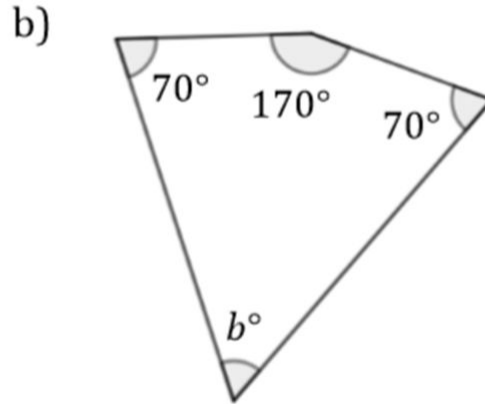
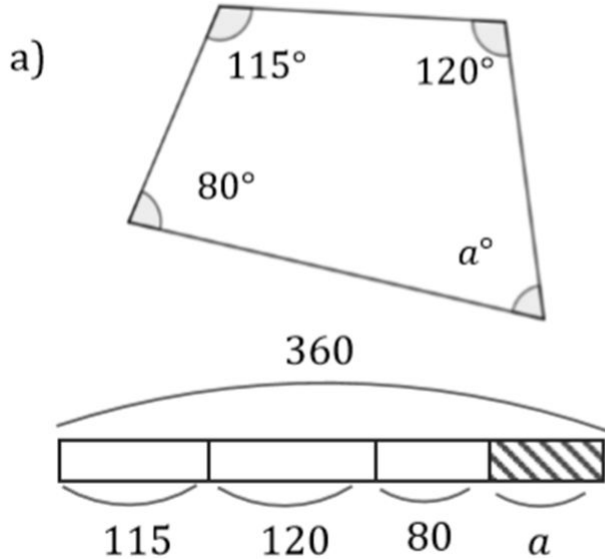
Independent Task

Miss Oreyomi



Questions

1) Find the value of the missing angle in each of the following quadrilaterals. (A partial solution for part a is given.)



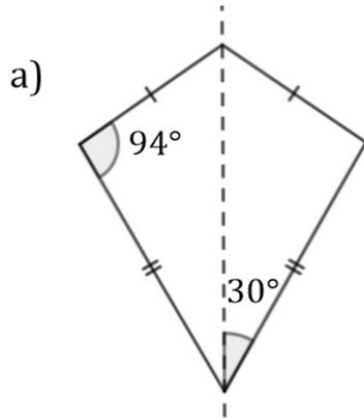
[Not to scale]



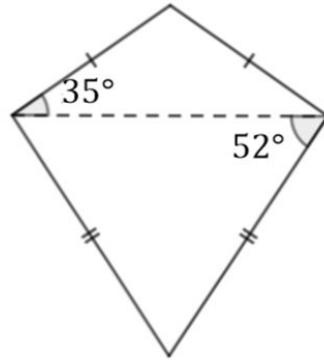
Questions

2. Use the information given about each of the quadrilateral below to find their four interior angles.

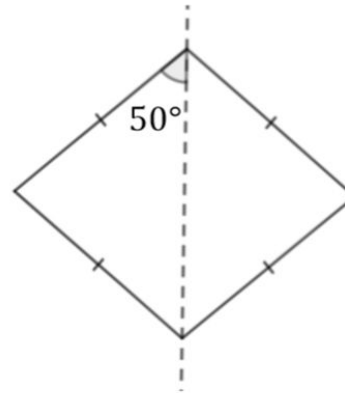
[Not to scale]



b)



c)



Questions

3. Find the missing angles in each of the following:

